



EnerDynamic Hybrid Technologies



EnerCube 3.5

Performance Advantages

- Roof-Top Wind & Solar Hybrid Energy System.
- Stable 24-hour power production capability.
- Maximizes energy density by reducing foot print.
- Expandable power generation.
- Appropriate for on or off electrical grid applications.
- Offsets peak energy pricing for electrical grid connected systems.

Features

- Cut-in wind speed – 2 m/s.
- Scalable to user defined electrical consumption needs.
- Easy assembly and maintenance.
- Minimal running maintenance required.
- Able to withstand temperature ranges from -40°C to 50°C.

Installation Benefits

- Easy to mount on any structure.
- Flexible Installation - ballasted or roof penetration.
- Visually engaging design.
- Environment-friendly, silent operation.

Entire System

- EnerCube Dimensions 1200 mm (L) x 1200 mm (W) x 1600 mm (H)
- Weight 93.91 kgs
- Frame Galvanized G-90 Steel and Aluminum
- Electronics Enclosure Rating IP53
- Electrical Connection, Battery Charge Controller, Inverter (Optional)
- Nominal System Voltage 48 Vdc
- Generator Permanent Magnet Axial Gap
- Design Life 25 Years



Made in
Canada



Solar PV



Wind Energy



Battery Back-up



EnerDynamic

Hybrid Technologies

Solar Component

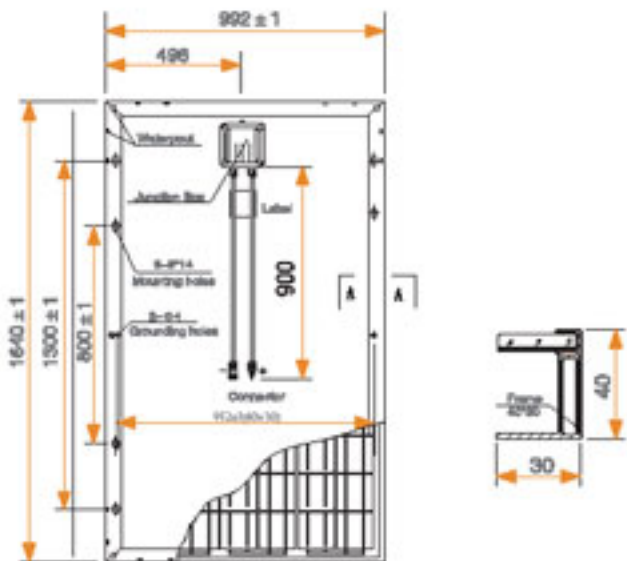


EHT250P-60

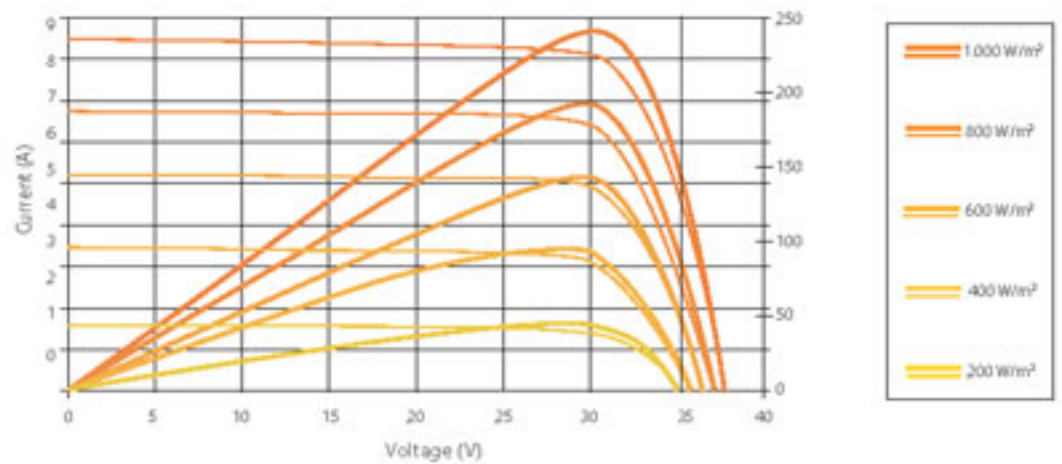
Durability, Sustainability, Reliability

The EHT250 is one of the quality products offered from our 100,000 ft² Welland, Ontario, Canada manufacturing facility. It is designed for commercial applications ranging from industrial rooftops to ground mounting on rugged rural pastures. Manufactured to meet ISO 9001, 14001 and 18001 standards this quality of module is a sturdy example of quality solar.

Dimensions of the PV module



I-V Curves of the PV module



Electrical Data



High module conversion efficiency up to 15.27 %



Insured output warranty of 25 years



Green Certification: PV-Cycle, Carbon Footprint and RoHS



Without Potential-Induced Degradation (PID-free)



Resistant against ammonia and salt mist



Certified to withstand extreme snowloads of 5.400 Pascal

Nominal Power Watt P_{max} (W_p)	250
Power Output Tolerance P_{max} (%)	0 ~ +3
Maximum Power Voltage V_{max} (V)	30.15
Maximum Power Current I_{Mpp} (A)	8.29
Open Circuit Voltage V_{oc} (V)	37.89
Short Circuit Current I_{sc} (A)	8.61
Module Efficiency η_m (%)	15.37
Cell Efficiency η_c (%)	17.44





EnerDynamic

Hybrid Technologies

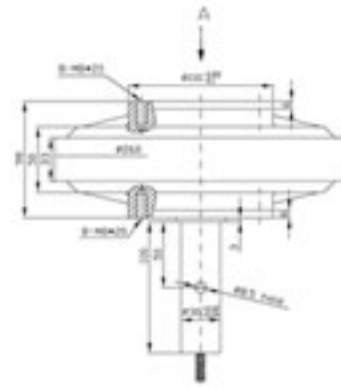
Wind Component



EHTSHF-380

Durability, Sustainability, Reliability

- Turbine Related Power Output 500 W @ 14 m/s
- Wind Component Maximum Power Output 550 W @ 16 m/s
- Maximum Voltage 196 Vdc
- Maximum Current 10 Amps
- Rotor Diameter 1.21 m
- Cut-In Wind Speed 2 m/s
- Swept Area 0.870 m²
- Permanent Magnet Type (Outer Rotor)



Power Curve of the Generator

